

SKIP DIAMOND

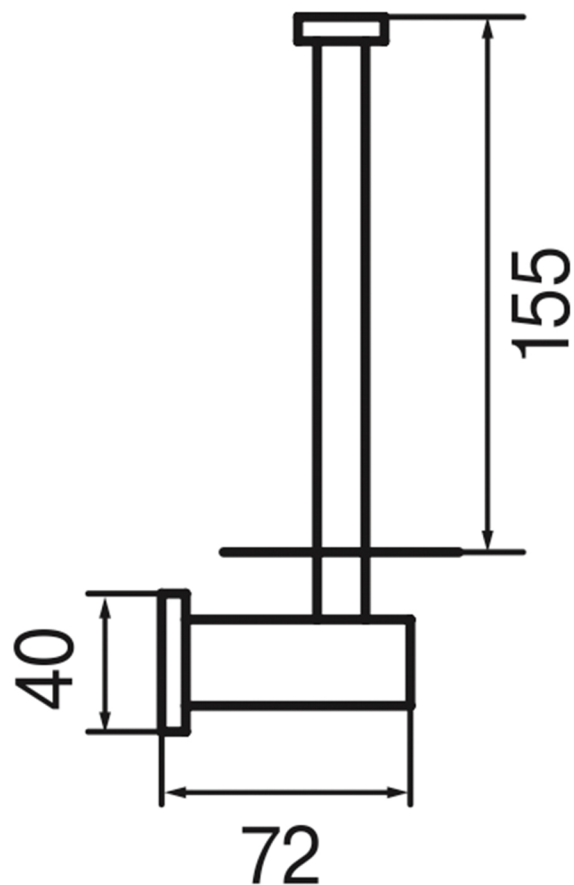
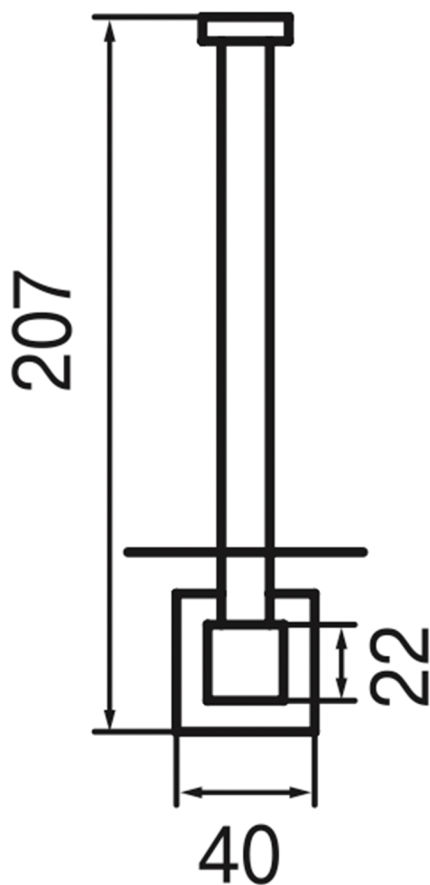
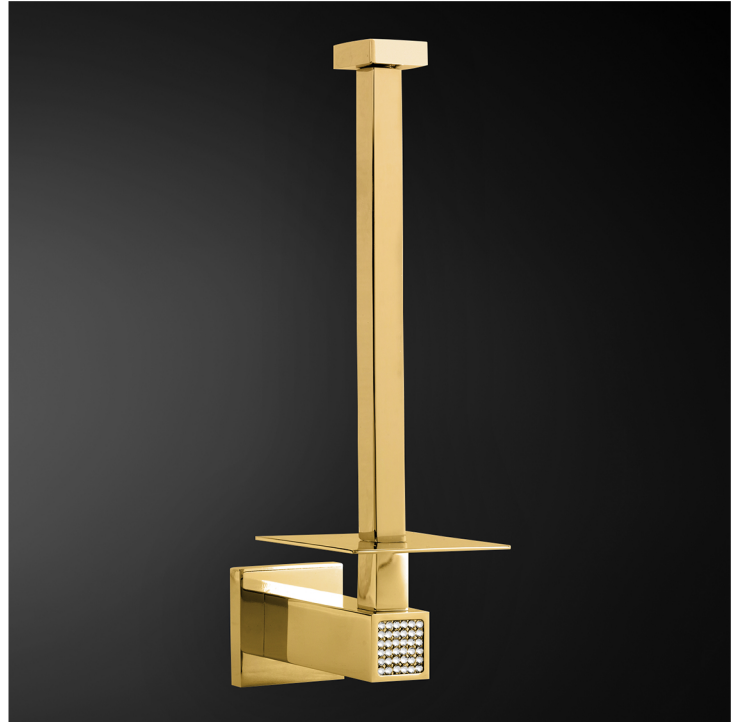
Model: Skip Diamond

Category: Accessories

Material: Brass

Dimensions: 1.5" (L) x 1.5" (W) x 8.1" (H)

Description: Luxury vertical roll holder in polished gold finish.



*Numbers are in millimeters