

## SKIP DIAMOND

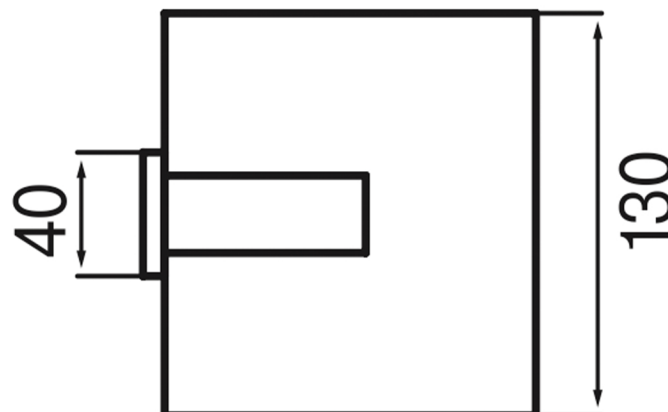
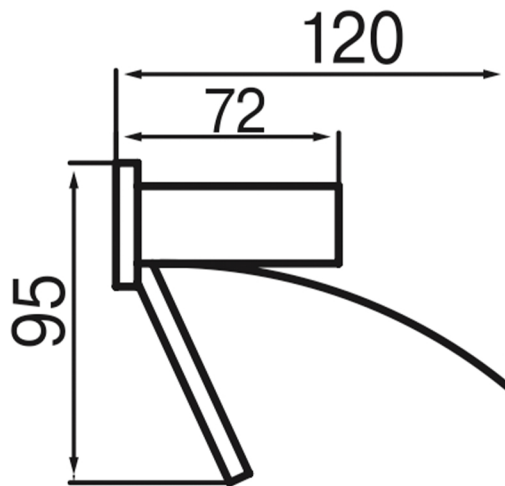
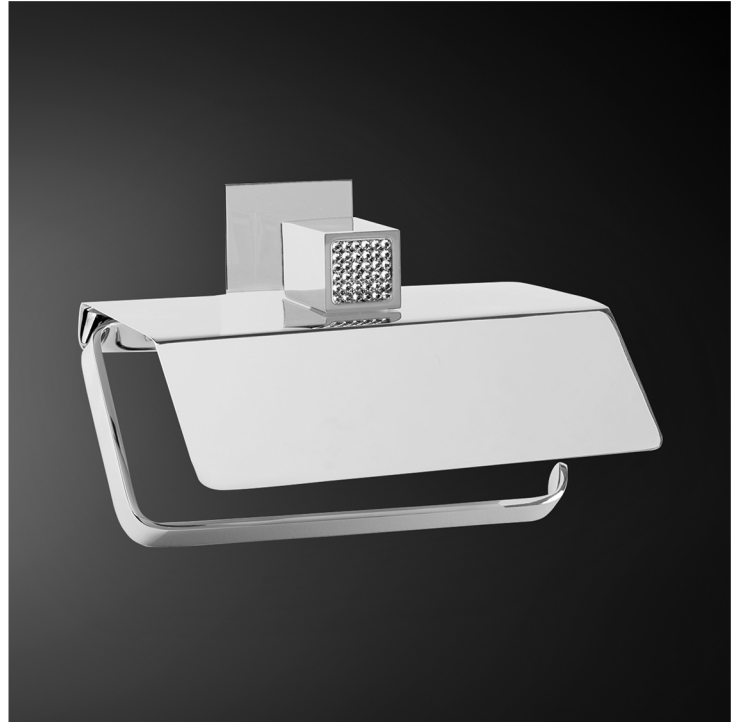
Model: Skip Diamond

Category: Accessories

Material: Brass

Dimensions: 5.1" (L) x 3.7" (W) x 4.7" (H)

Description: Luxury roll holder with cover in polished chrome finish.



\*Numbers are in millimeters